



SOLING 50 CLASS MEASUREMENT CERTIFICATE

(For more specific information, refer to 2009 Soling 50 Class Rules)

Owner's Name _____ AMYA # _____

Address: _____

City _____ State _____ Zip _____

Sail Number _____ Yacht's Name _____ Frequency Normally Used _____

HULL: Length: (50" +/- 1/4") _____ " Beam at Transom: (5-1/2" +/- 1/16") _____ "

Beam: (12-1/8" +/- 1/4") _____ " Hull Material: (Fiberglass or ABS) _____

DISPLACEMENT: (Weight - Ready To Sail) with **RIG A** sails: _____ lbs. _____ oz.

(MINIMUM Weight 17 lbs.) with **RIG B** sails: _____ lbs. _____ oz.

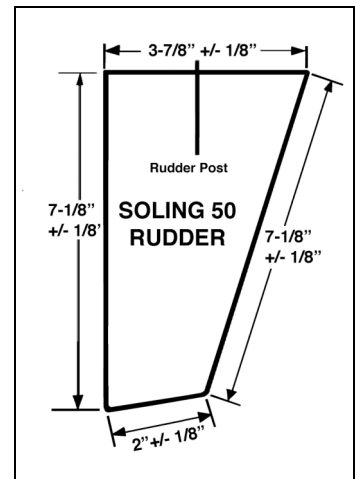
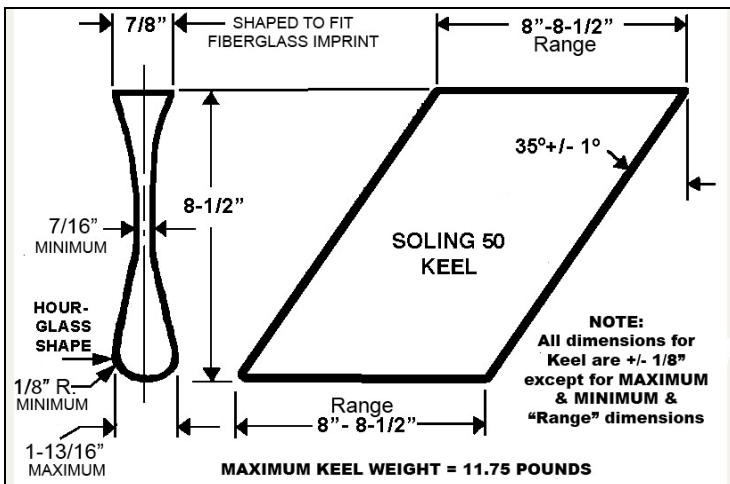
SPARS: Mast Diameter (3/4" MAXIMUM) _____ " Height Above Deck (60"-- 61 1/4") _____ "

Center Line of Main Boom Height Above Deck (2 1/2" MINIMUM) _____ "

Mast is "THROUGH DECK" and is registered/grandfathered with Class Sec. _____ YES.

KEEL: No materials denser than lead (AMYA By-Laws). (See Soling 50 Class Rules - 2009)

Keel specifications and dimensions conform to the Keel Diagram _____ YES _____ NO.



RUDDER: Construction materials are optional. (See Soling 50 Class Rules - 2009)

Rudder dimensions conform to the Rudder Diagram _____ YES _____ NO.

Rudder Post Distance from Transom: (9" +/- 1/4") _____ "

RIGGING: Standing Rigging MAY NOT be remotely controlled (See Soling 50 Class Rules - 2009)

Height of Jib Stay Attachment Above the Deck: (48 1/2" +/- 1/4") _____"

Only three (3) channels (servos) are used for remote controls:

(1) Rudder

(2) & (3) Jib-sheet/Main-sheet and/or Jib-sheet fine tuning.


_____ YES _____ NO

SAILS: All measurements below are MAXIMUM dimensions.

(See Soling 50 Class Rules - 2009)

A maximum of two (2) rigs may be pre-measured in for use in AMYA events.

<u>MAIN RIGS:</u>	<u>"A"</u>	<u>"B"</u>	<u>JIB RIGS:</u>	<u>"A"</u>	<u>"B"</u>
Luff: (56")	_____ "	_____ "	Luff: (46")	_____ "	_____ "
Foot: (17")	_____ "	_____ "	Foot: (15 1/2")	_____ "	_____ "
Leech: (57 1/2")	_____ "	_____ "	Leech: (41 1/2")	_____ "	_____ "
Roach: (2 1/2")	_____ "	_____ "	Roach: (1 1/2")	_____ "	_____ "
Foot Roach: (1.0")	_____ "	_____ "	Foot Roach: (1.0")	_____ "	_____ "

IDENTIFICATION: (See Soling 50 Class Rules - 2009) Omega  and sail numbers (both approximately 3" high) are located in accordance with class specifications...and on both sides of the sail. All yacht registration numbers will be issued by the AMYA through the Class Secretary and displayed inside of the hull in a reasonably visible location.

OWNER'S SIGNATURE

OBSERVER SIGNATURE
(Observer must be a registered Soling 50 owner & AMYA member in good standing)

DATE

DATE



This Certificate is valid for 24 months from the date of signatures above, provided the yacht is duly registered and there have been no interim alterations affecting rating or change of ownership.